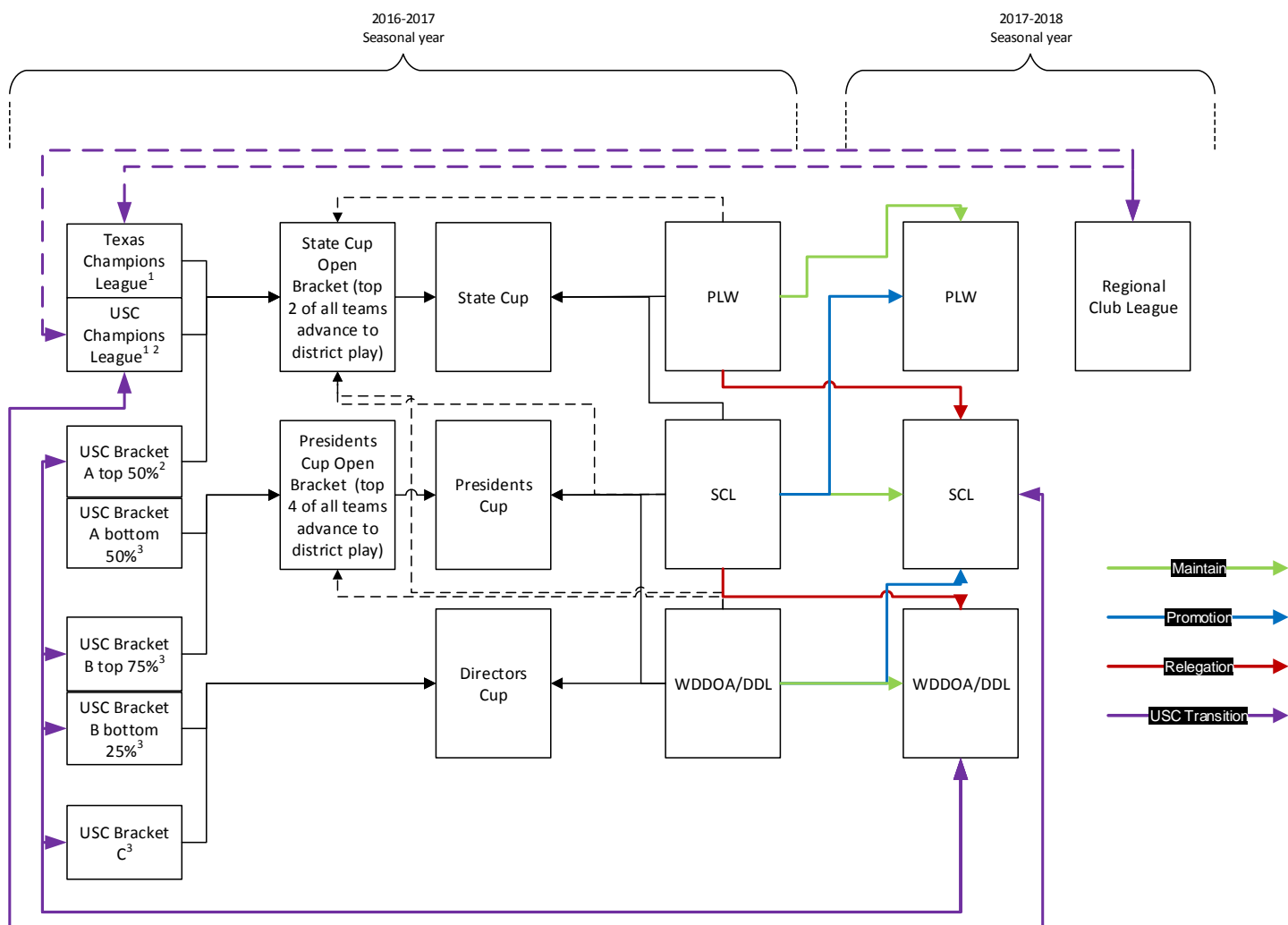


State Classic League Criteria



¹ Teams participating in Texas Champions League and USC Champions League may qualify directly into a US Youth Soccer Regional Club League (RCL) based upon that league's entrance requirements.

² Teams participating in Texas Champions League, USC Champions League, and the top 50% finishers of the USCTX A Bracket that choose to participate in a Spring 2017 STYSA Cup will be guaranteed a SCL/WDDOA/DDL slot for the 2017-2018 seasonal year. Teams that do not participate in a Spring 2017 Cup may apply for a SCL/WDDOA/DDL slot for the 2017-2018 seasonal year.

³ The remaining USCTX teams that choose to participate in a Spring 2017 STYSA Cup will be guaranteed a WDDOA/DDL slot for the 2017-2018 seasonal year. Teams that do not participate in a Spring 2017 Cup may apply for a SCL/WDDOA/DDL slot for the 2017-2018 seasonal year.

Note: Teams that participated in 2016-17 SRPL-W, 2017 State Cup Finals Weekend, US Club Texas Champions League (TCL) or the USC Champions League will automatically qualify for SCL in Fall 2017; however, teams must still complete the application process.