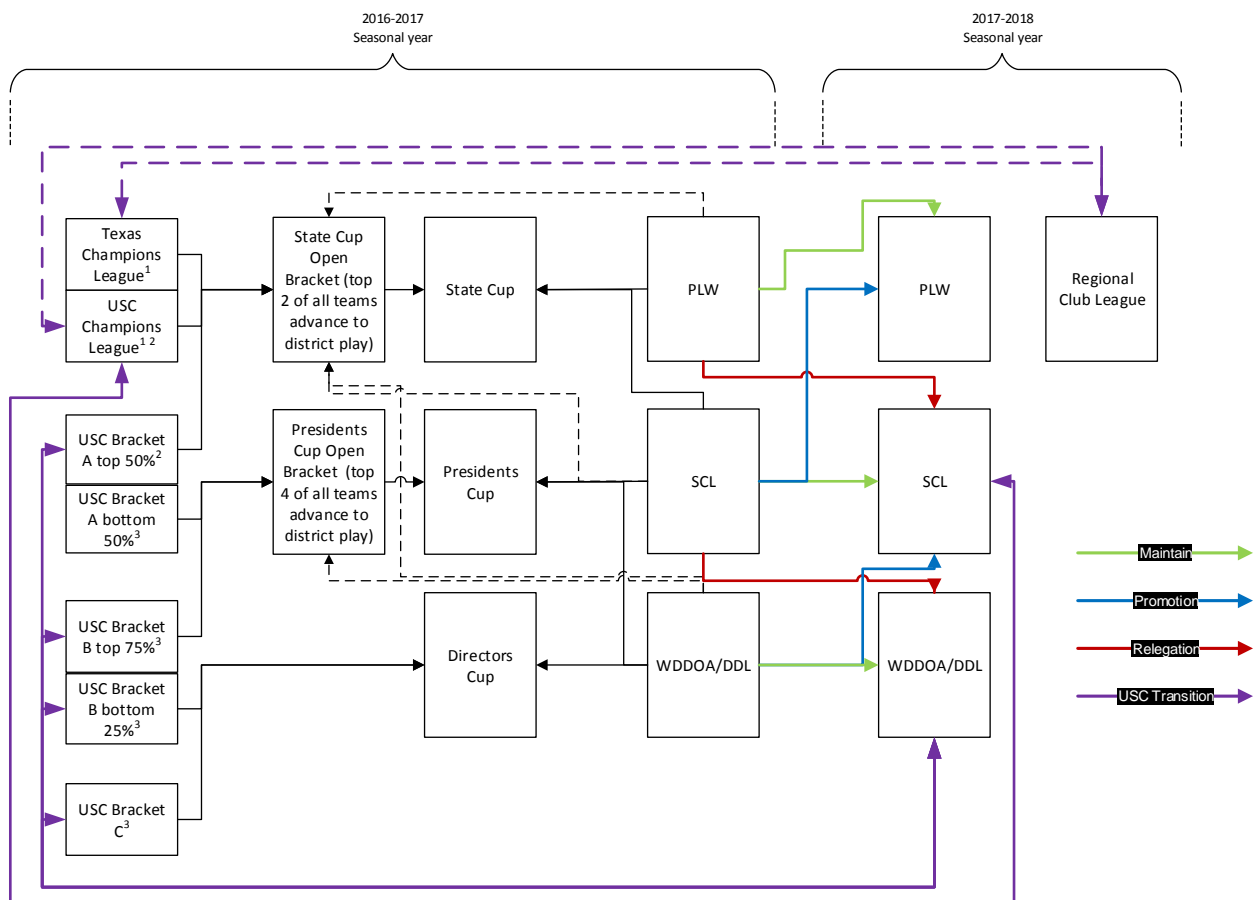


# STYSA Spring 2017- Spring 2018 Competitions

**Purpose:** This document will provide a high-level overview of the competitions that STYSA teams should be eligible to participate in for the Spring 2017 Cups as well as the 2017-2018 seasonal year. Some eligibility details are provided; however, please review specific competition rules for detailed requirements. The STYSA Competitions Committee and Executive Committee have been developing transition solutions for clubs that have teams participating in non-STYSA/US Youth Soccer competitions to be able to return to STYSA/US Youth Soccer competitions.

## High-level competition-to-competition mapping



<sup>1</sup> Teams participating in Texas Champions League and USC Champions League may qualify directly into a US Youth Soccer Regional Club League (RCL) based upon that leagues entrance requirements.

<sup>2</sup> Teams participating in Texas Champions League, USC Champions League, and the top 50% finishers of the USCTX A Bracket that choose to participate in Spring 2017 State Cup, will be guaranteed a SCL/WDDOA/DDL slot for the 2017-2018 seasonal year. Teams that do not participate in a Spring 2017

Cup may apply for a SCL/WDDOA/DDL slot for the 2017-2018 seasonal year.

<sup>3</sup> The remaining USCTX teams that choose to participate in a Spring 2017 STYSA CUP will be guaranteed a WDDOA/DDL slot for the 2017-2018 seasonal year. Teams that do not participate in a Spring 2017 Cup may apply for a SCL/WDDOA/DDL slot for the 2017-2018 seasonal year.

Spring 2017 Cup mapping for non-US Youth Soccer registered teams.

State Cup Open bracket			Presidents Cup Open bracket		Directors Cup	
Texas Champions League	USC Champions League	USCTX Bracket A (top 50%)	USCTX Bracket A (bottom 50%)	USCTX Bracket B (top 75%)	USCTX Bracket B (bottom 25%)	USCTX Bracket C

**State Cup**

Open Bracket		District Bracket		District Playoff
Open Bracket - Top 2 teams advance to 8 team district event in the #7 and #8 seed positions. The #7 and #8 seeds are pre-seeded with teams from Fall STYSA competitions. See the open bracket format below.	====>	District Bracket - two seeded brackets of 4 teams. Seeds 1-6 are based on order of finish/comp. level. Seeds #7 and #8 filled from Open bracket	====>	A1vB2, B1vA2 - winners advance to State Cup finals

The State Cup Champion will earn the STX #3 seed to the following Fall SRPL West competition. In the event that the State Cup champion has already pre-qualified for SRPL in the STX#1, STX#2, or STX#4 slots, then the next highest order finisher in State Cup that is not a pre-qualified SRPL team will be awarded the following Fall SRPL West competition State Cup champion slot.

State Cup Open Bracket format

State Cup			
1 Challenge team			
Game 1	SC #8 (\$0)	CH #1 (\$200)	winner takes #8 seed
2 Challenge Teams			
Game 1	SC #7	CH #2 (\$200)	winner takes #7 seed
Game 2	SC #8	CH #1 (\$200)	winner takes #8 seed
3 Challenge Teams			
Game 1	CH #2 (\$100)	CH #3 (\$100)	winner advances to game #3

Game 2	SC #8	CH #1 (\$200)	winner takes #8 seed
Game 3	SC #7	Game 1 winner	winner takes #7 seed
4 Challenge Teams			
Game 1	CH #1 (\$100)	CH #4 (\$100)	winner advances to game #3
Game 2	CH #2 (\$100)	CH #3 (\$100)	winner advances to game #4
Game 3	SC #7	Game 2 winner (\$200)	winner takes #7 seed
Game 4	SC #8	Game 1 winner (\$200)	winner takes #8 seed
5 Challenge Teams			
Game 1	CH #4 (\$100)	CH#5 (\$100)	winner advances to game #2
Game 2	CH #1 (\$100)	Game 1 winner (\$100)	winner advances to game #3
Game 3	CH #2 (\$100)	CH #3 (\$100)	winner advances to game #4
Game 4	SC #7	Game 4 winner (\$200)	winner takes #7 seed
Game 5	SC #8	Game 3 winner (\$200)	winner takes #8 seed
6 Challenge Teams			
Game 1	CH#5 (\$100)	CH#6 (\$100)	winner advances to game #3
Game 2	CH#3 (\$100)	CH#4 (\$100)	winner advances to game #4
Game 3	CH#1 (\$100)	Game 1 winner (\$100)	winner advances to game #6
Game 4	CH#2 (\$100)	Game 2 winner (\$100)	winner advances to game #5
Game 5	SC #7	Game 4 winner (\$200)	winner takes #7 seed
Game 6	SC #8	Game 3 winner (\$200)	winner takes #8 seed

**Maximum fee for any State Cup challenge team will be limited to \$400.**

### Presidents Cup

Open Bracket		District Bracket		District Playoff
Open Bracket - Top 4 teams advance to 16 team district event in the #13-#16 seed positions. The #13-#16 seeds are pre-seeded with teams from Fall STYSA competitions. See the open bracket format below.	====>	District Bracket - four seeded brackets of 4 teams. Seeds 1-12 are based on order of finish/comp. level. Seeds 13-16 filled from Open bracket	====>	A1vB2, B1vA2, C1vD2, D1vC2 ===== A1vB2 winner v C1vD2winner B1vA2 winner v D1vC2winner Winners advance to Presidents Cup state finals

Presidents Cup			
1 Challenge team			
Game 1	PC #16	CH #1 (\$200)	winner takes #16 seed
2 Challenge Teams			
Game 1	PC #15	CH #2 (\$200)	winner takes #15 seed
Game 2	PC #16	CH #1 (\$200)	winner takes #16 seed
3 Challenge Teams			

Game 1	PC #14	CH #3 (\$200)	winner takes #14 seed
Game 2	PC #15	CH #2 (\$200)	winner takes #15 seed
Game 3	PC #16	CH #1 (\$200)	winner takes #16 seed
4 Challenge Teams			
Game 1	PC #13	CH #4 (\$200)	winner takes #13 seed
Game 2	PC #14	CH #3 (\$200)	winner takes #14 seed
Game 3	PC #15	CH #2 (\$200)	winner takes #15 seed
Game 4	PC #16	CH #1 (\$200)	winner takes #16 seed
5 Challenge Teams			
Game 1	CH #4 (\$100)	CH #5 (\$100)	winner advances to game #2
Game 2	PC #13	Game 1 winner (\$200)	winner takes #13 seed
Game 3	PC #14	CH #3 (\$200)	winner takes #14 seed
Game 4	PC #15	CH #2 (\$200)	winner takes #15 seed
Game 5	PC #16	CH #1 (\$200)	winner takes #16 seed
6 Challenge Teams			
Game 1	CH#5 (\$100)	CH#6 (\$100)	winner advances to game #3
Game 2	CH#3 (\$100)	CH#4 (\$100)	winner advances to game #4
Game 3	PC #13	Game 1 winner (\$200)	winner takes #13 seed
Game 4	PC #14	Game 2 winner (\$200)	winner takes #14 seed
Game 5	PC #15	CH #2 (\$200)	winner takes #15 seed
Game 6	PC #16	CH #1 (\$200)	winner takes #16 seed

**Maximum fee for any Presidents Cup challenge team will be limited to \$300.**

### **Fall 2017 State Classic League**

The format/group sizes for SCL may be altered to accommodate teams that want to re-integrate into STYSA competitions. Teams should be allowed to compete at the proper level to provide for player development purposes. Teams that do not participate in a Spring 2017 Cup may apply for a district SCL slot for the 2017-2018 seasonal year.

The top division of play in each district will be considered SCL East and SCL West. The top two teams from each bracket will compete in a cross-district SCL Premier event in December with the high-points winner from the four-team/three game round-robin event earning promotion to the following fall SRPL West competition as the STX #4 seed.

### **Fall 2017 SRPL Premier League West**

Region III has moved back to the previous format model for SRPL competitions. PLW will consist of 4 teams each from NTX, OK, and STX. Format of play will be a single weekend of travel into each of the other two state associations for cross-state play as well as two weekends of hosting the other two state associations for cross-state play. In-state STX play will be determined at a later date and designed to

minimize travel for all participating teams. The top two STX finishers will retain their SRPL PLW status as the STX#1 and STX#2 seeds for the following fall. The STX#3 seed will be awarded to the State Cup Champion or the next highest order finisher in State Cup that is not a pre-qualified SRPL team. The STX #4 seed will be the promoted SCL Premier Champion.

Based on feedback from the STYSA Competitions Committee as well as the STYSA Technical Development Committee, the following SRPL Qualification criteria will be in place for the Fall 2017 SRPL PLW Competition.

	<b>U13</b>	
<b>PLW#1-4</b>	The four STX SRPL PLW Spring 2018 slots will be filled by the winner and runner-up from each of the U13 SCL Premier event 4 team, cross-district brackets.	ED 1-3, WD 1-3, El Paso, South Zone. ED will provide a 4 <sup>th</sup> team should El Paso or South Zone not take their slot.
	<b>U14</b>	<b>Comments</b>
<b>PLW#1-4</b>	The STX PLW#1-4 seed will be awarded to the 4 highest State Cup finishers.	
	<b>U15</b>	
<b>PLW#1</b>	STX PLW #1 (TBD Spring 2017 PLW Comp.)	Based on order of finish in National League/PLW. Participation in PLW for National League teams is a requirement to retain PLW seeding for the following fall.
<b>PLW#2</b>	STX PLW #2 (TBD Spring 2017 PLW Comp.)	
<b>PLW#3</b>	State Cup #1 (TBD Spring 2017 State Cup Comp.)	The STX PLW#3 seed will be awarded to the State Cup Champion or the next highest order finisher in State Cup that is not a pre-qualified PLW team.
<b>PLW#4</b>	State Cup #2 (TBD Spring 2017 State Cup Comp.)	
	<b>U16-U19</b>	<b>Comments</b>
<b>PLW#1</b>	STX PLW #1	Based on order of finish in National League/PLW. Participation in PLW for National League teams is a requirement to retain PLW seeding for the following fall.
<b>PLW#2</b>	STX PLW #2	
<b>PLW#3</b>	State Cup #1	The STX PLW#3 seed will be awarded to the State Cup Champion or the next highest order finisher in State Cup that is not a pre-qualified PLW team.
<b>PLW#4</b>	SCL #1	Winner of the cross-district SCL Premier event.
Any un-filled pre-qualified slots will be filled by the next highest order of finish team from the same competition. (e.g. If PLW#2 declines their slot, PLW#3 would be offered the slot or if SCL #1 declined their slot, SCL#2 would be offered the slot).		

### Regional Club League

The Regional Club League concept is a new competition model/format that has been **approved** by US Youth Soccer with an implementation goal for the 2017/2018 seasonal year. In terms of competition level, it would be considered on par with the current Regional Premier League model. The intent would

be to provide the most flexible league platform to individual clubs. Individual RCL leagues will be made up of a group of clubs that will define the set of league qualification rules. A US Youth Soccer sub-committee is working on final rules and league requirements with a delivery goal and full public announcement by March 31.